

## DSP6020

### 20W Commercial Weather-Resistant Surface Mount Speaker



#### Description

The DSP6020 is a 20W outdoor waterproof speaker featuring a 4" woofer and a 0.75" tweeter. It delivers exceptional clarity and powerful bass, with a frequency response of 90Hz–20kHz. Sensitivity is rated at 85dB, with a maximum SPL of 98dB, ensuring efficient and dynamic sound projection. The IP66-rated all-weather enclosure guarantees reliable performance in both outdoor and indoor environments.

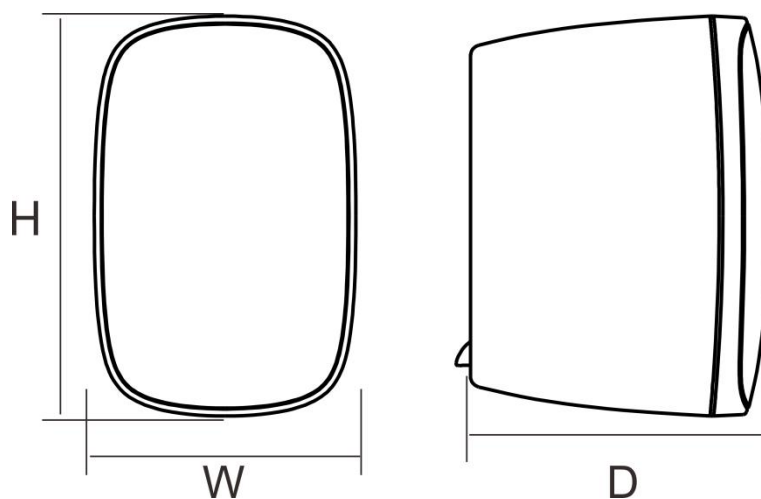
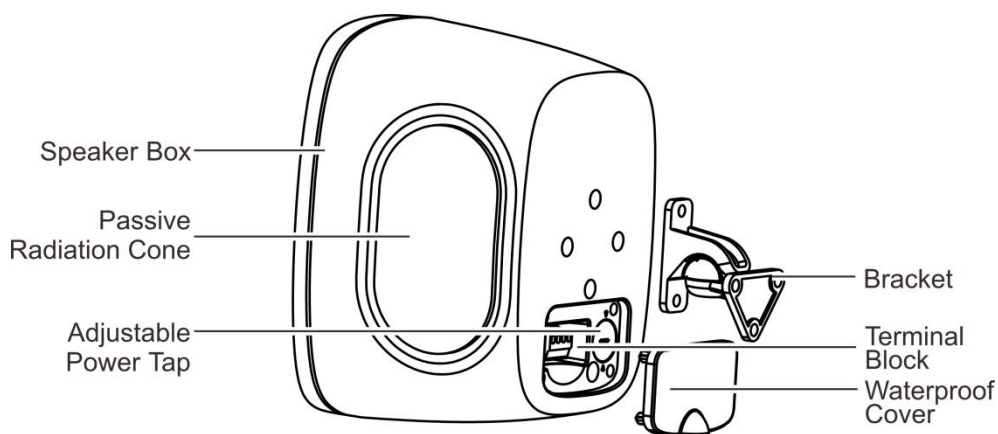
#### Features

- Sound quality: Engineered for exceptional audio performance with a passive radiator plus dedicated tweeter and woofer units, delivering clear, transparent, bright sound and rich, powerful bass.
- Design: Streamlined shape with smooth, elegant curves for a stylish, premium appearance.
- Color options: Available in black and white to complement various venue decors.
- Grille: Made of 1060 pure aluminum with hardening and anti-oxidation treatment—resists deformation and never rusts.
- Enclosure: Constructed from polymer engineering plastics — durable, safe, and reliable.
- Driver components: Tweeter diaphragm uses a transparent silk membrane; woofer diaphragm features polypropylene with a large magnetic circuit.
- Mounting bracket: Cast aluminum construction — no oxidation or rust, safe and durable, with multi-angle adjustment for easy installation and use.
- Waterproof rating: IP66 all-weather design ensures reliable performance in both indoor and outdoor environments.

# Specifications

Model	DSP6020
Speaker Unit	4"×1, 0.75"×1
Operating Voltage	100V
Rated Power	20W
Power Adjustment	8Ω-20W-10W-5W-2.5W-1.3W
Frequency Response	90Hz-20kHz
Sensitivity (1m, 1W)	85dB±2dB
MAX. SPL. (1m)	98dB±2dB
Operating Temperature	-20°C~+50°C
Dimensions (H×W×D)	213×140×159mm
Net Weight (1PC)	2.4kg
Gross Weight (2PCS/CTN)	6.5kg

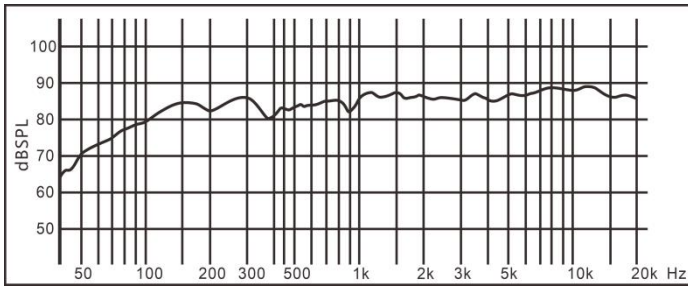
## Product Information



H	W	D
213	140	159

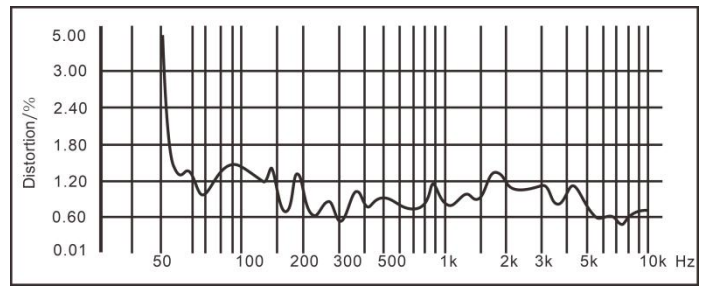
Unit: mm

**Frequency Response**  
(dB SPL, 1W, 1m)

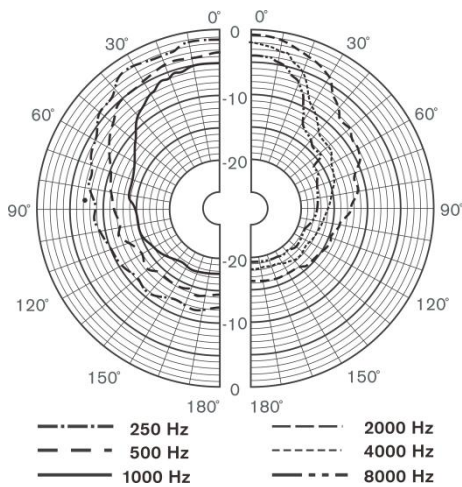


**Distortion**

(THD<3% 1W, 1m, 100Hz-10kHz)



**Vertical Directivity Pattern**



**Horizontal Directivity Pattern**

